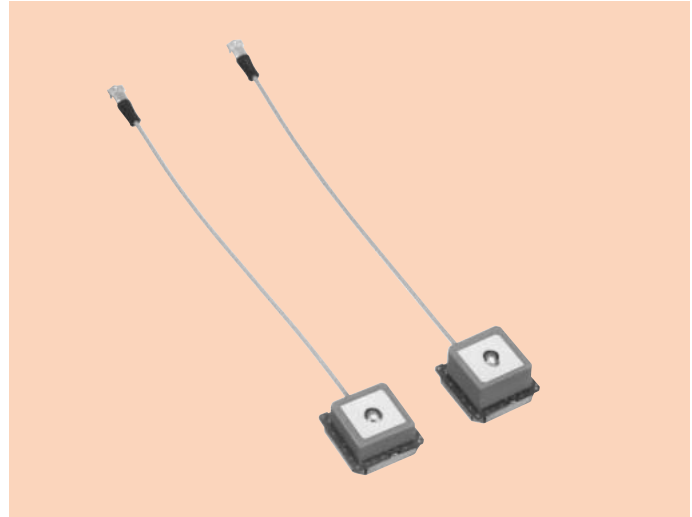


GPS Antenna GPA-CG2C7

Telecommunication component

OUTLINE

The antenna receives electric waves GPS satellites with a high degree of sensitivity. The handy integrated antenna is ideal.



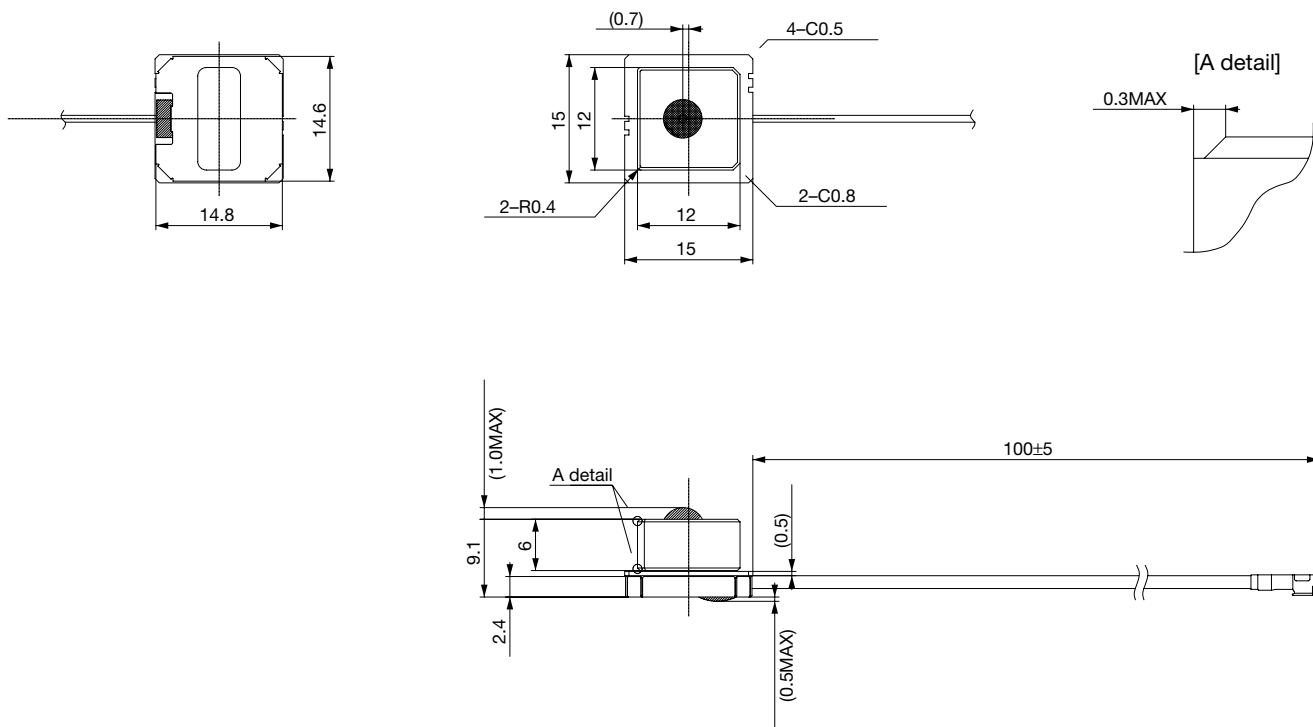
FEATURES

1. Low voltage, low power consumption.
2. Compact model : Antenna terminal 12mm×12mm, thickness 4 or 6mm, LNA : 15mm×15mm
3. Antenna pattern, cable length and shape of connector available to order.
4. Minimum quantity on special orders is 50,000pcs./year.

SPECIFICATIONS

	Item	Specifications
Antenna	Reception frequency	1575.42±1.023MHz
	Reception polarization	Right rotating polarization
	Antenna gain	-2~-3dBi typ. (Zenith)
	Output impedance	50Ω
LNA	Reception frequency	1575.42MHz
	Noise figure	1.1dB typ.
	Gain	26dB typ.
	Gain flatness (within reception band)	1dB max.
Overall	Overall gain	26dBi typ. (Zenith)
	Power supply voltage	2.7V~6.0V
	Consumption current	7.0mA.
	Minimum Order	50,000Pcs/Year

DIMENSIONS



Unit: mm